

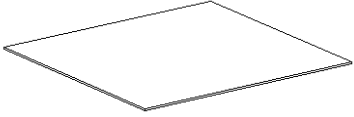
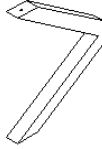
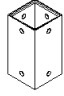


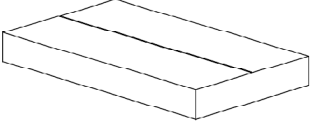
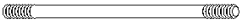




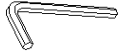

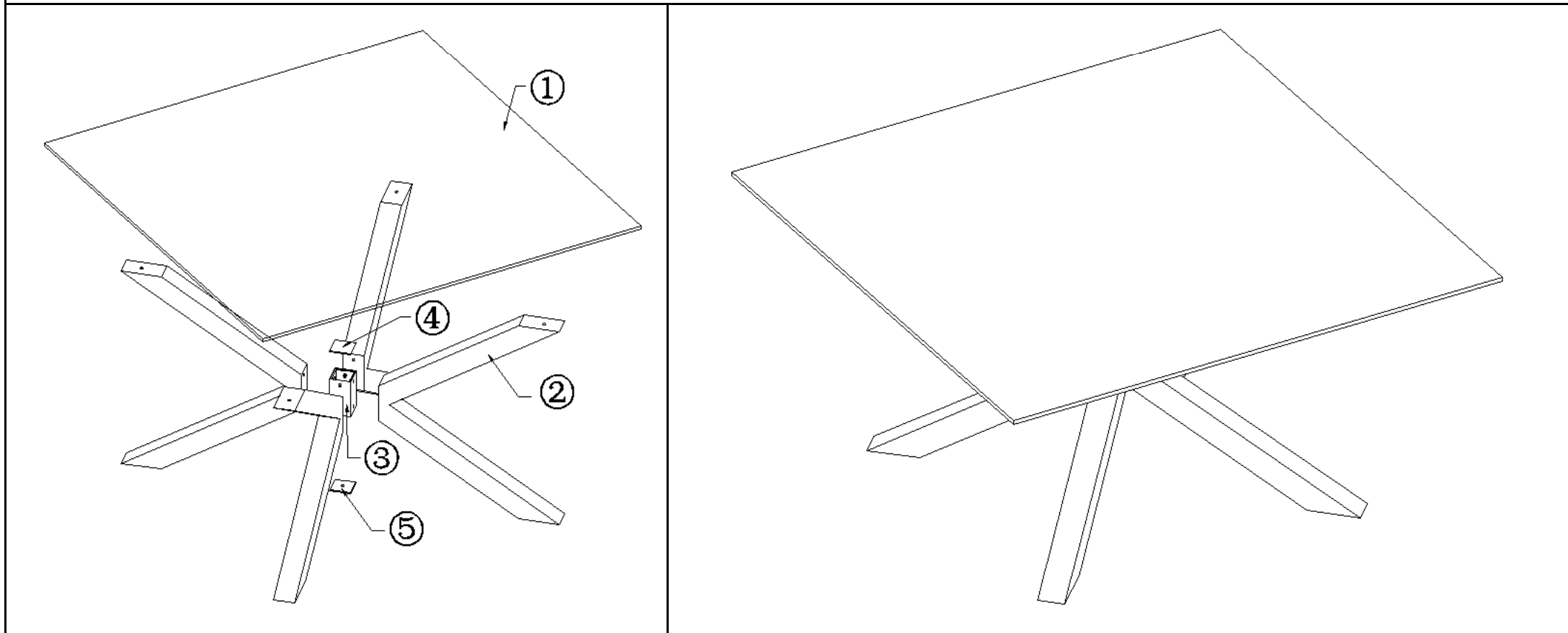


C410 - C412, C431



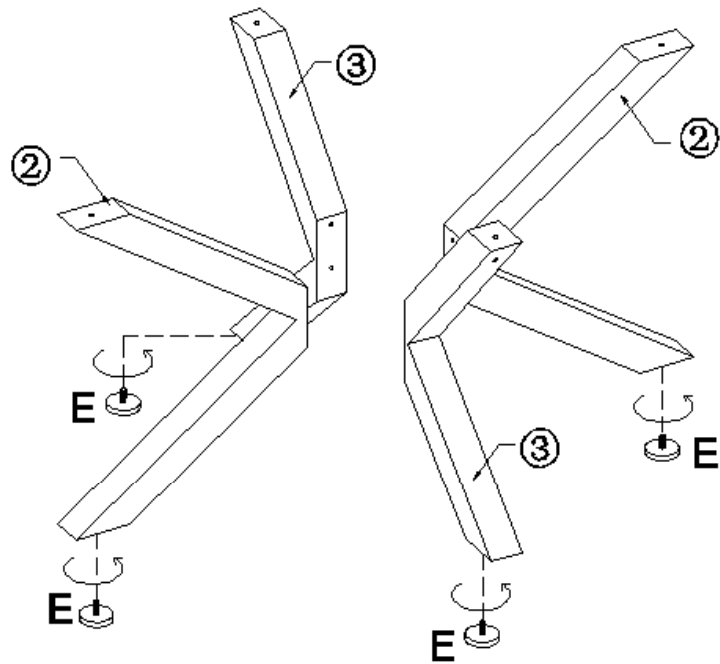
| | | | | | | | |
|---|---|---|---|--|---|--|--|
|  x2 |  20 min |  ①=1pc |  ②=2pcs |  ③=1pc |  ④=1pc |  ⑤=1pc | |
|  x2 |  A=1pc |  B=8pcs |  C=4pcs |  D=1pc |  E=4pcs |  F=1pc |  G=1pc |



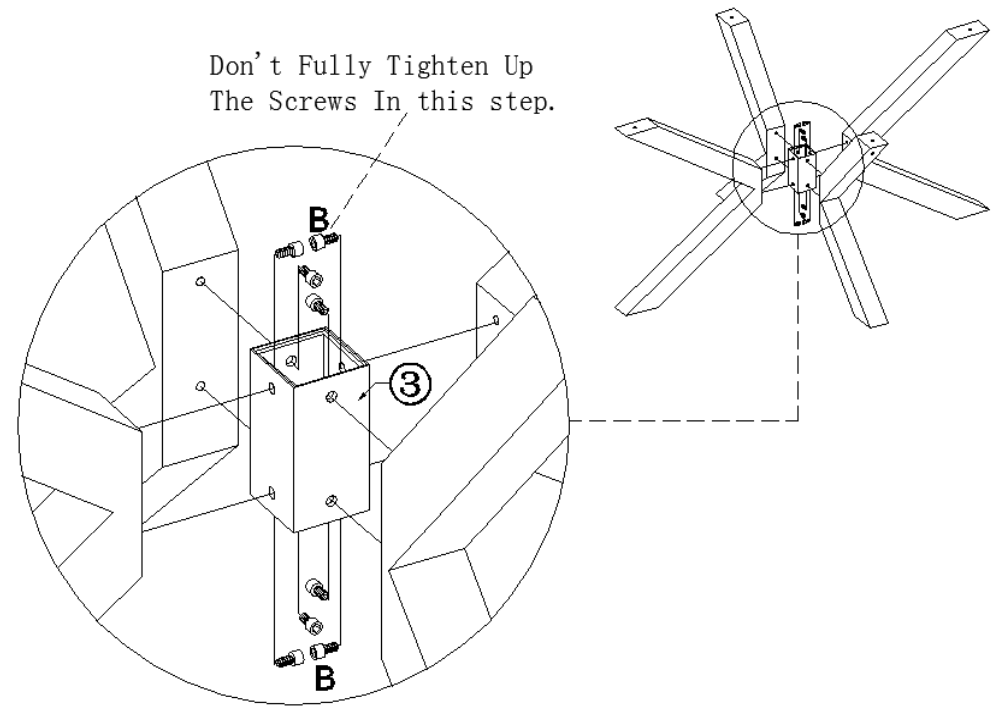
C410 - C412, C431



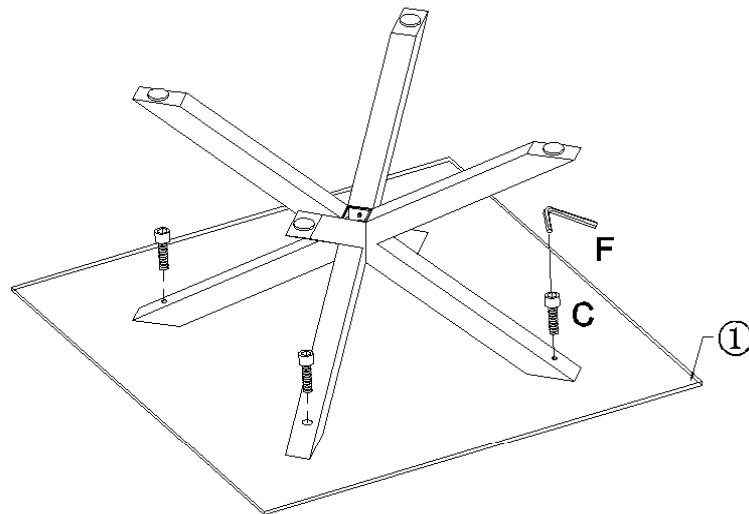
①



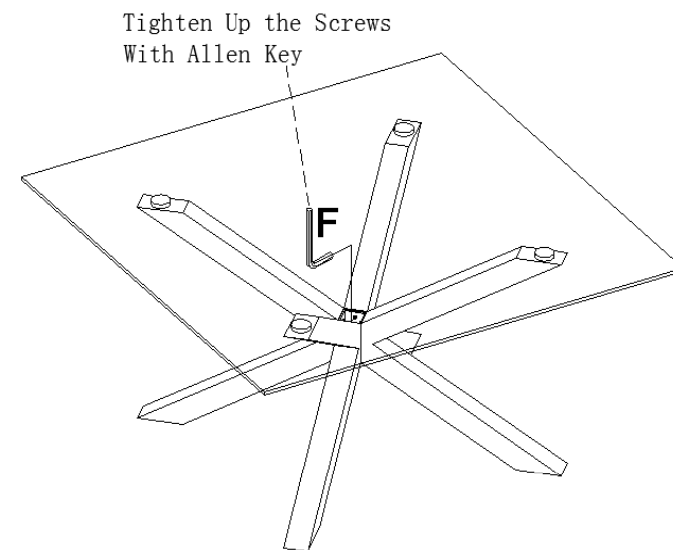
②



③



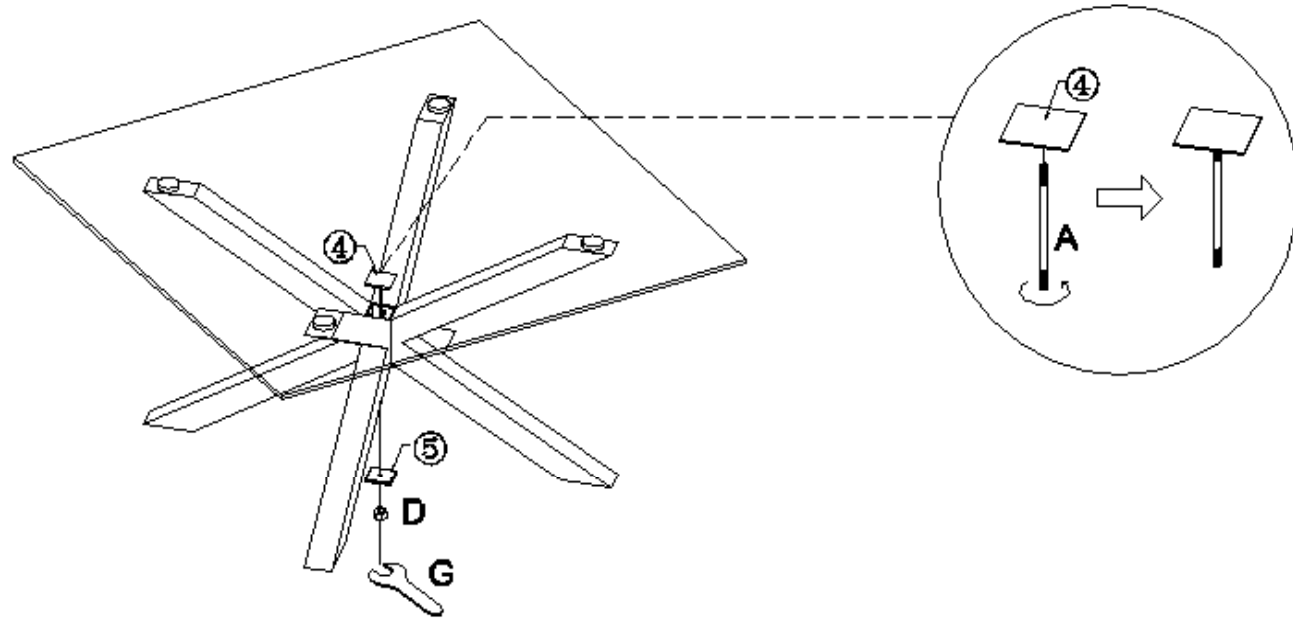
④



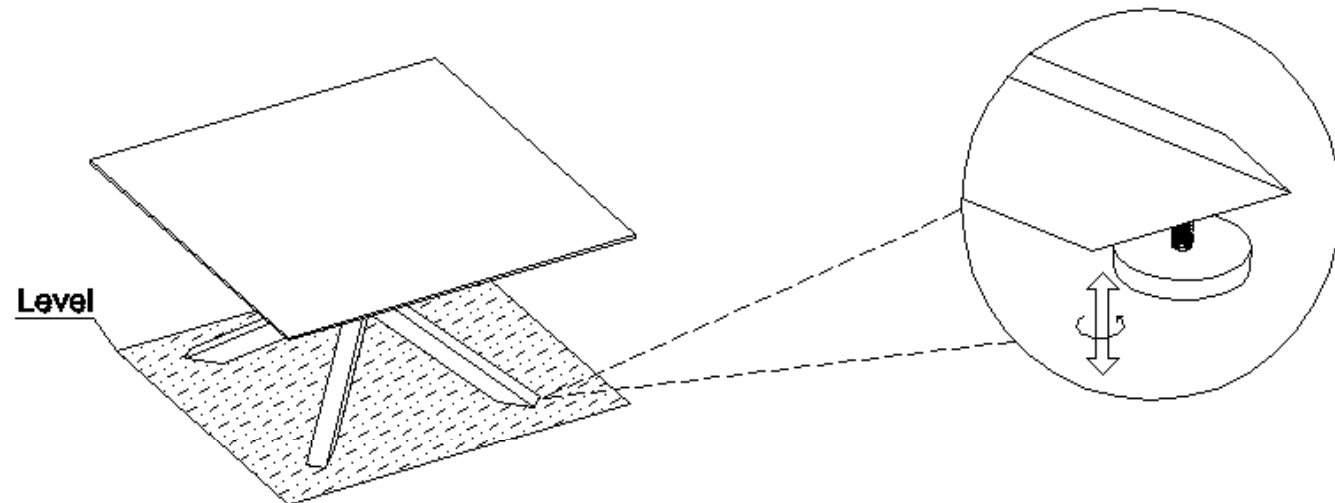
C410 - C412, C431



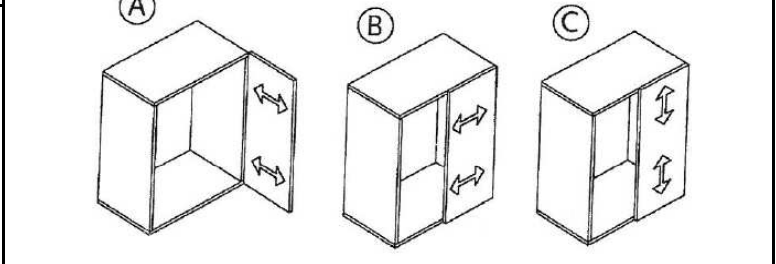
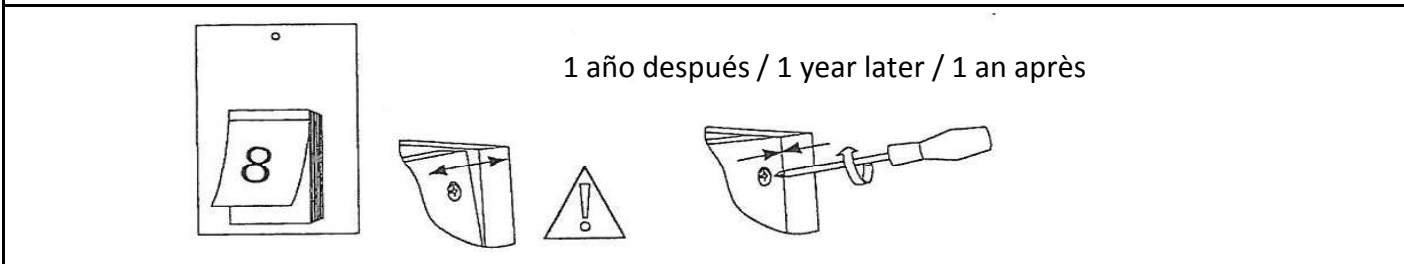
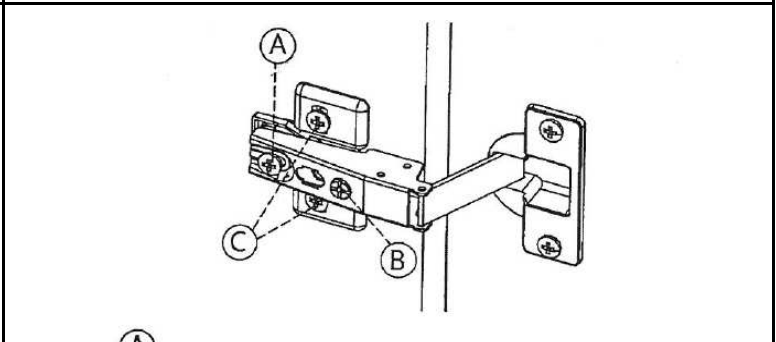
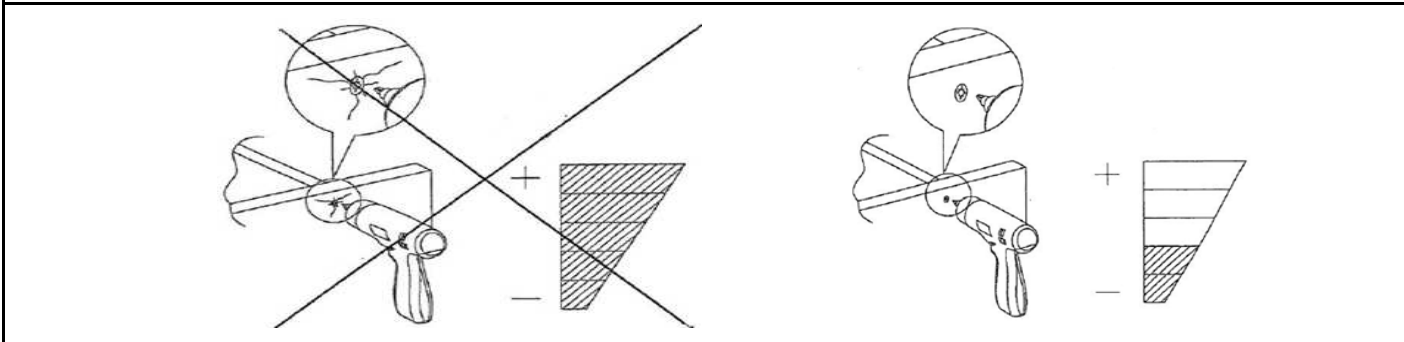
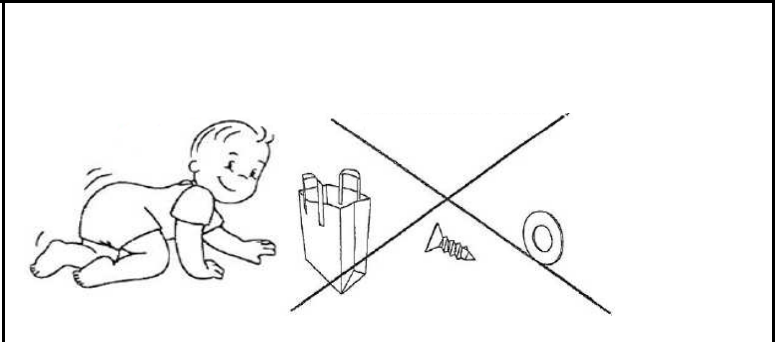
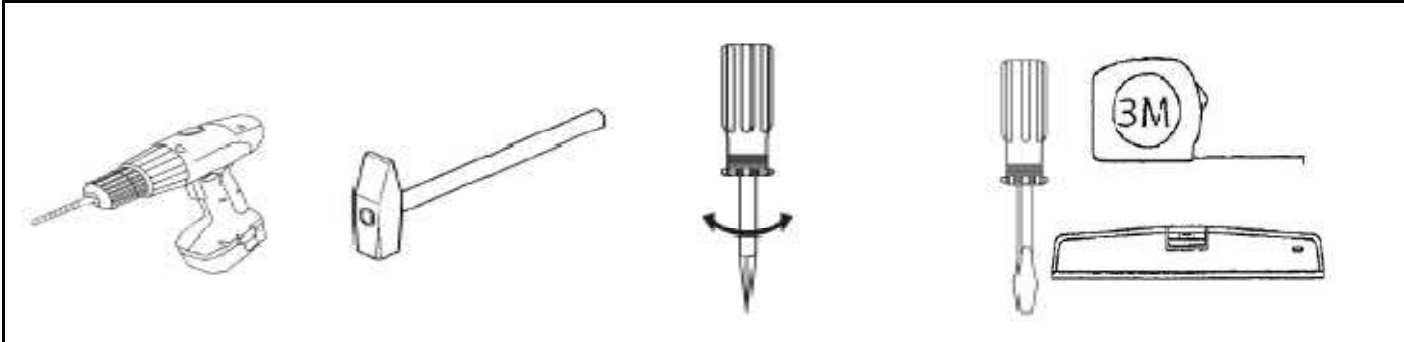
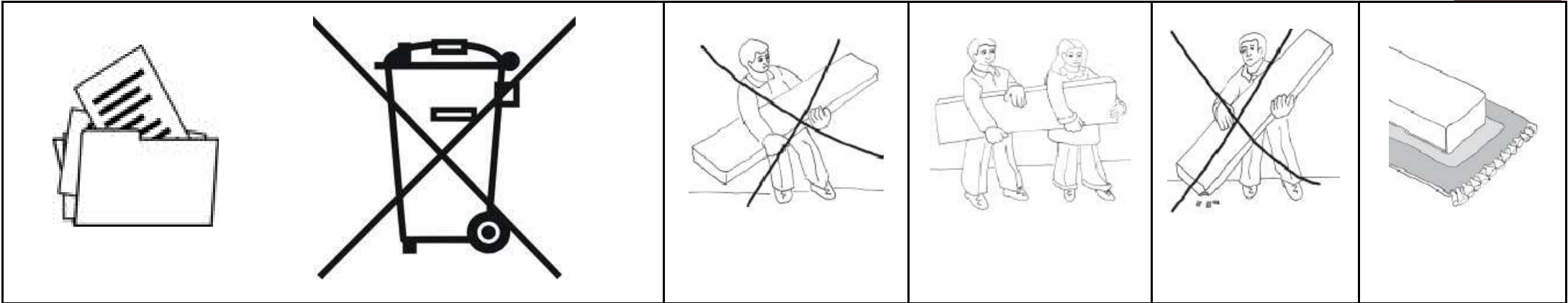
⑤



⑥



C410 - C412, C431



C410 - C412, C431

