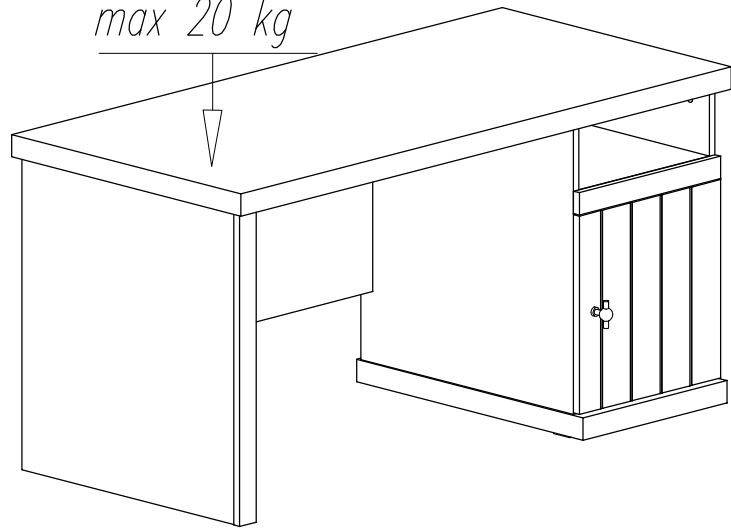
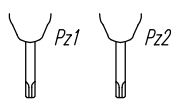
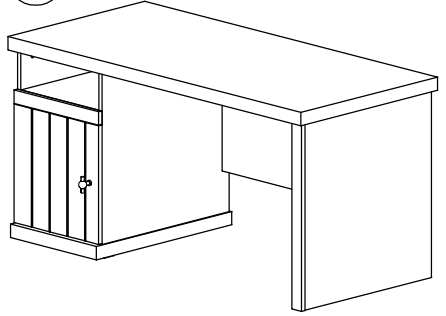


v.R

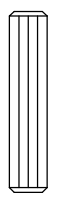
max 20 kg



v.L

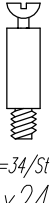


A



∅7,8x40
x44

B1



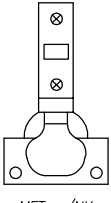
L=34/St
x24

C



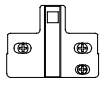
∅15x1.8
x24

D



MET +/NK
x2

E



H=0
x2

F



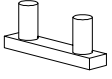
∅4x16
x4

G



x4

H



x6

L



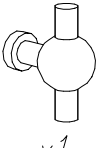
∅8
x4

M



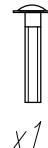
∅15
x3

N



x1

O



x1

P



∅8xL34
x4

R



∅15x1.8
x4

S

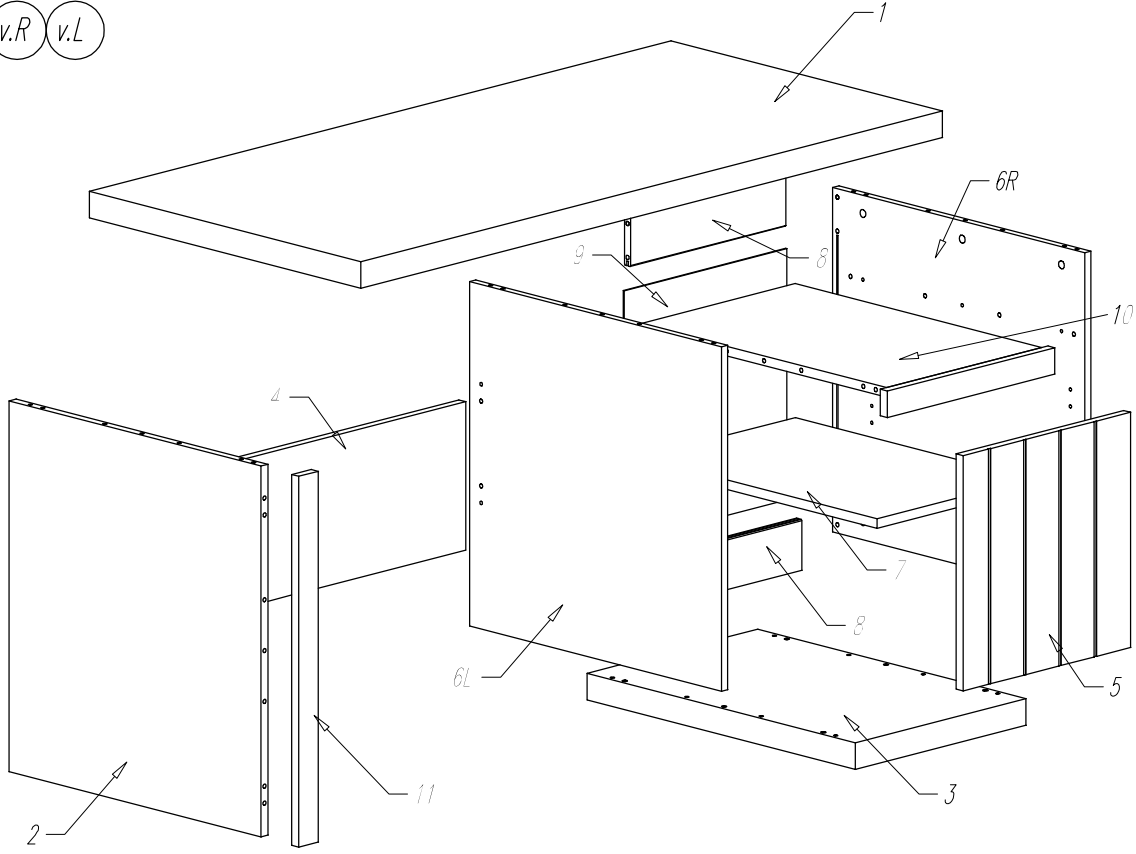


x12

ROBIN DESK 2

ROBIN-BUREAU ver. 5/2019

v.R v.L



Colli 1/2:

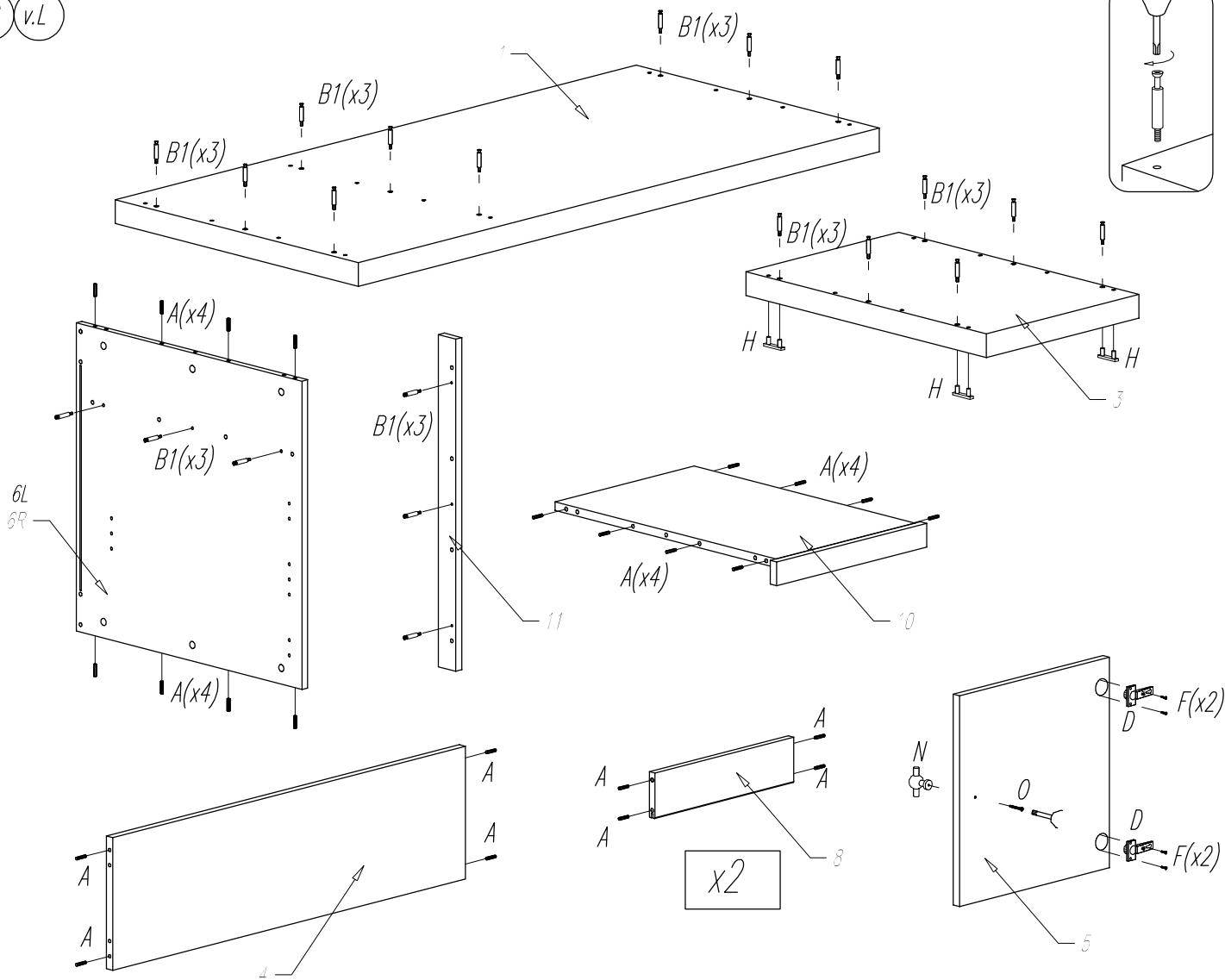
- Part no. 2 - 1 pcs/St.
- Part no. 5 - 1 pcs/St.
- Part no. 6L - 1 pcs/St.
- Part no. 6R - 1 pcs/St.
- Part no. 8 - 2 pcs/St.

Colli 2/2:

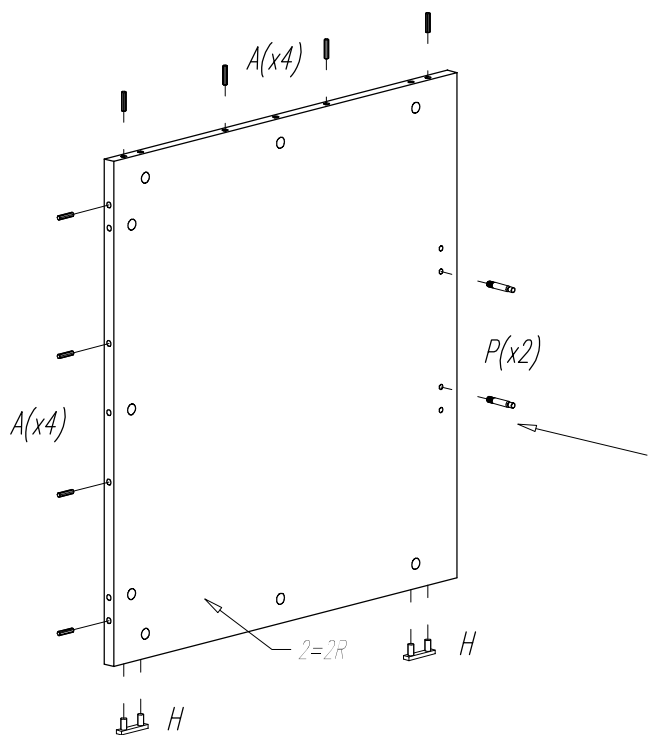
- Part no. 1 - 1 pcs/St.
- Part no. 3 - 1 pcs/St.
- Part no. 4 - 1 pcs/St.
- Part no. 7 - 1 pcs/St.
- Part no. 9 - 1 pcs/St.
- Part no. 10 - 1 pcs/St.
- Part no. 11 - 1 pcs/St.

Fittings/Beschl ge/Quincaillerie
Assembly instruction /Instruction/Montage

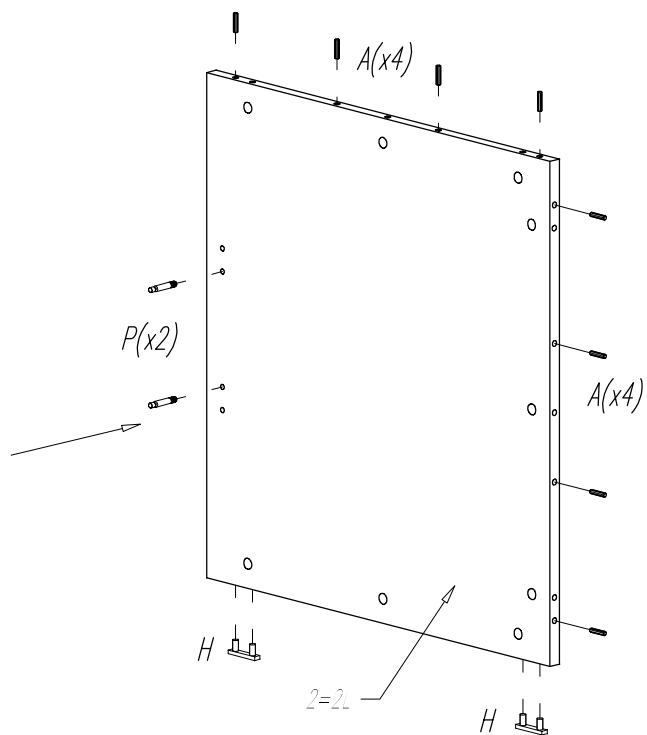
v.R v.L



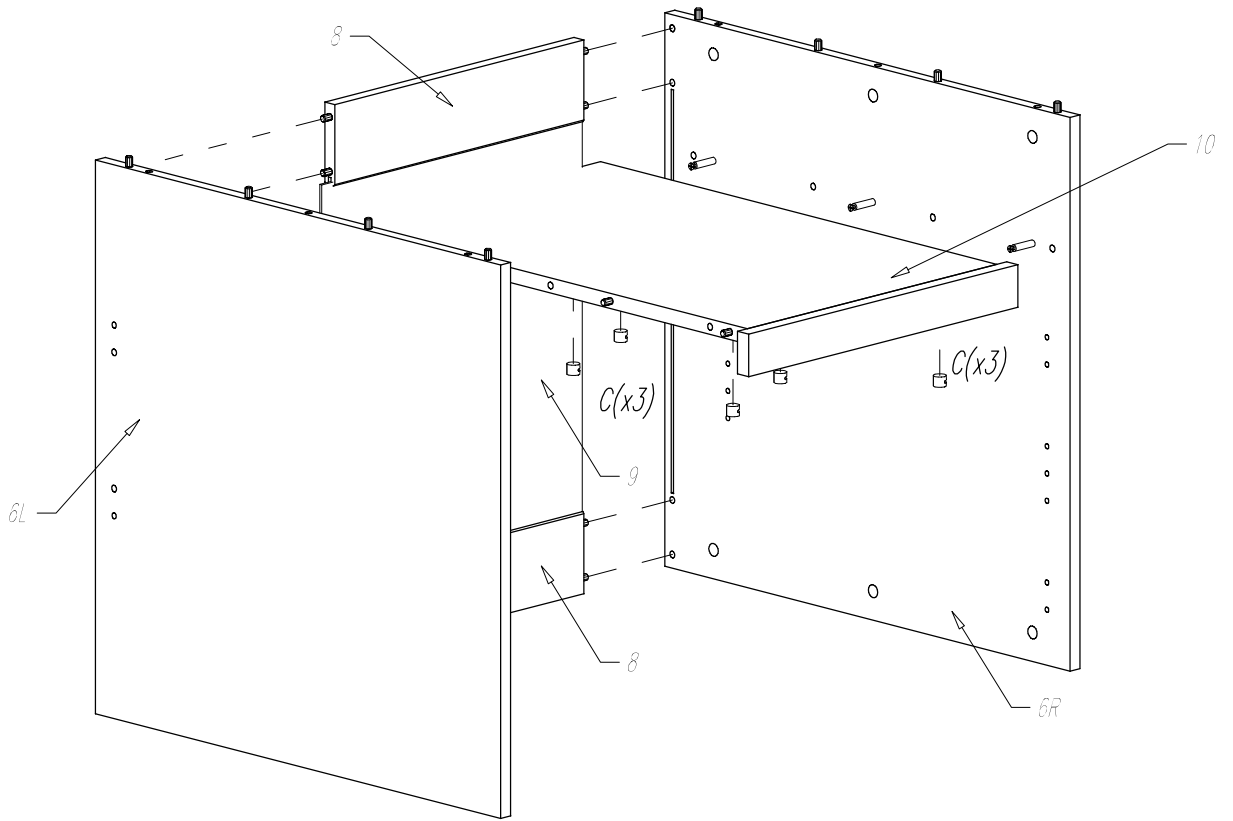
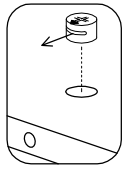
v.R



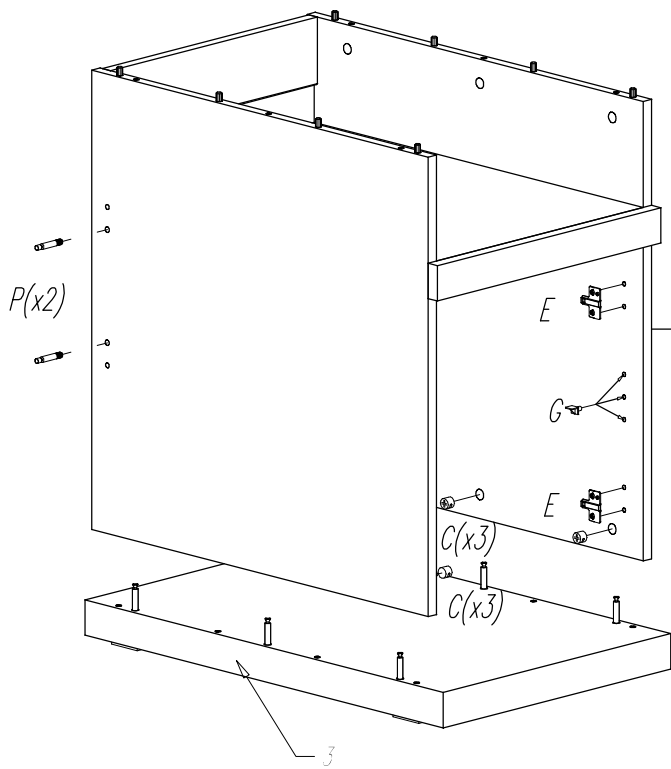
v.L



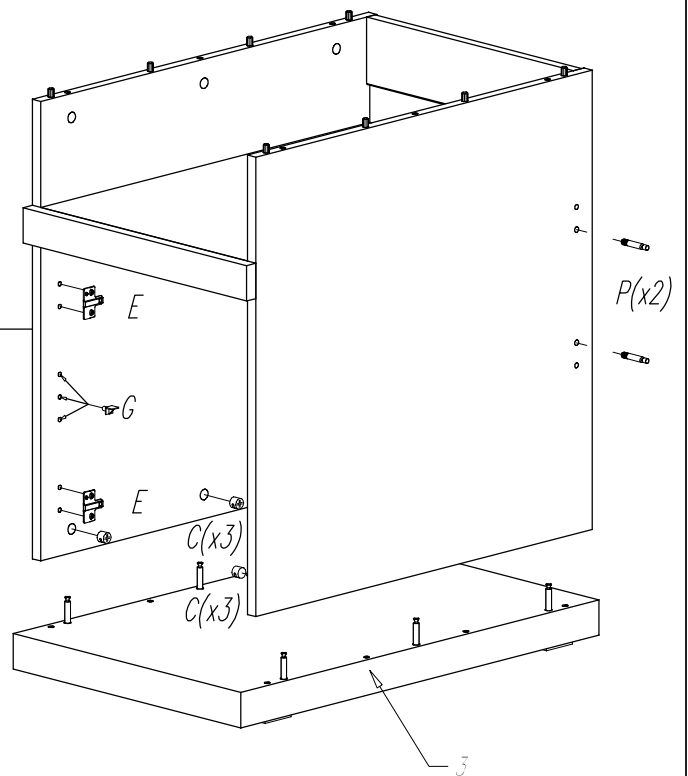
v.R v.L



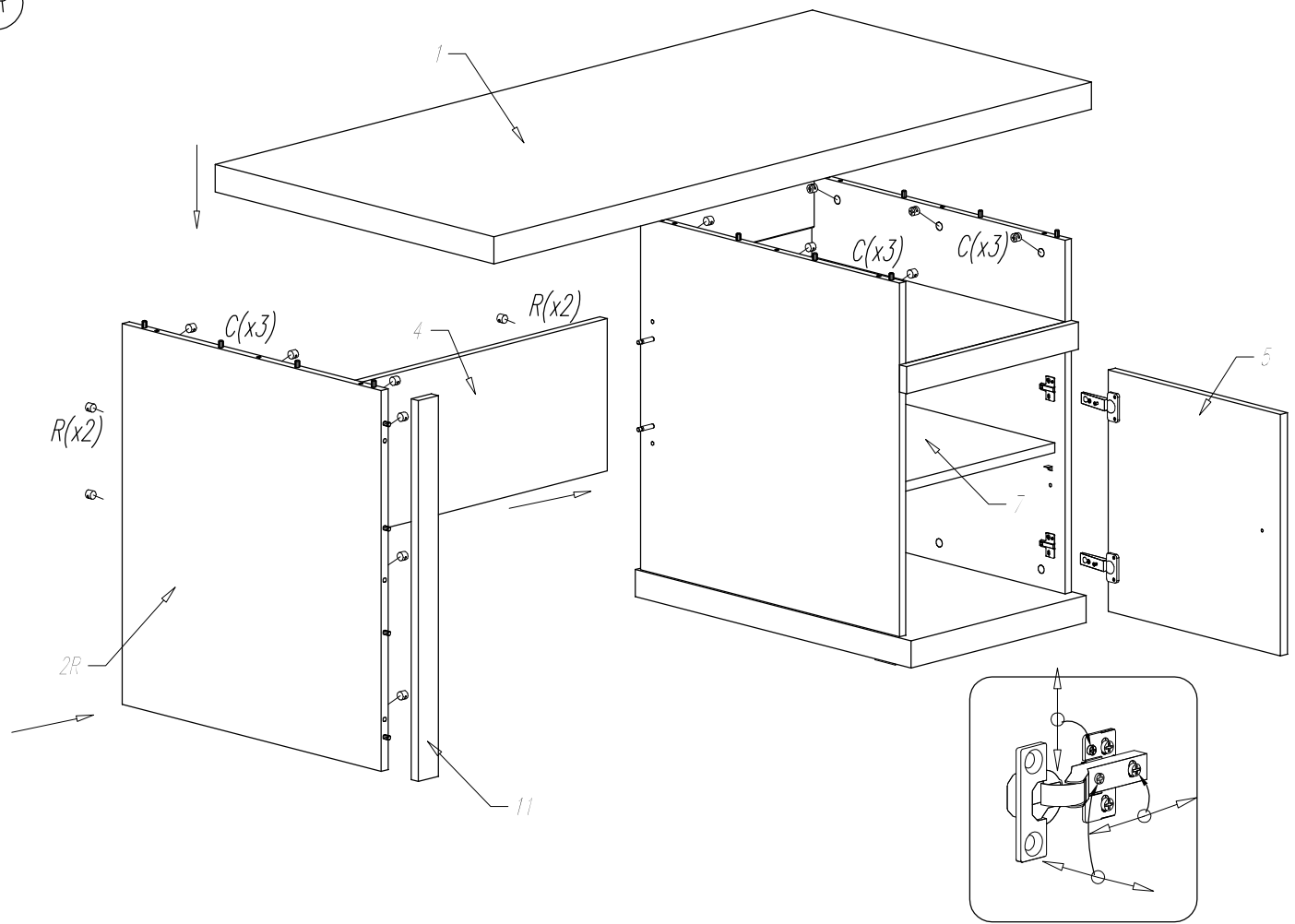
v.R



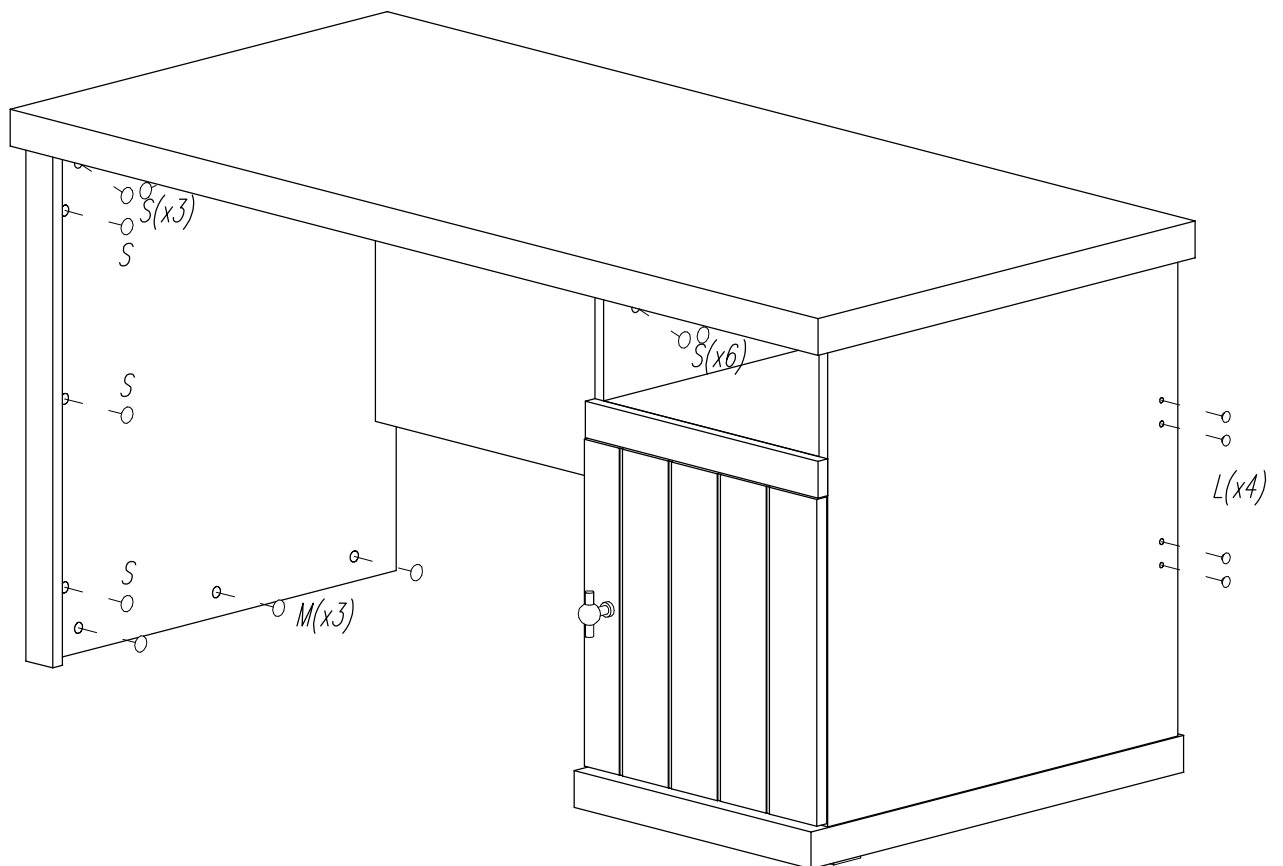
v.L



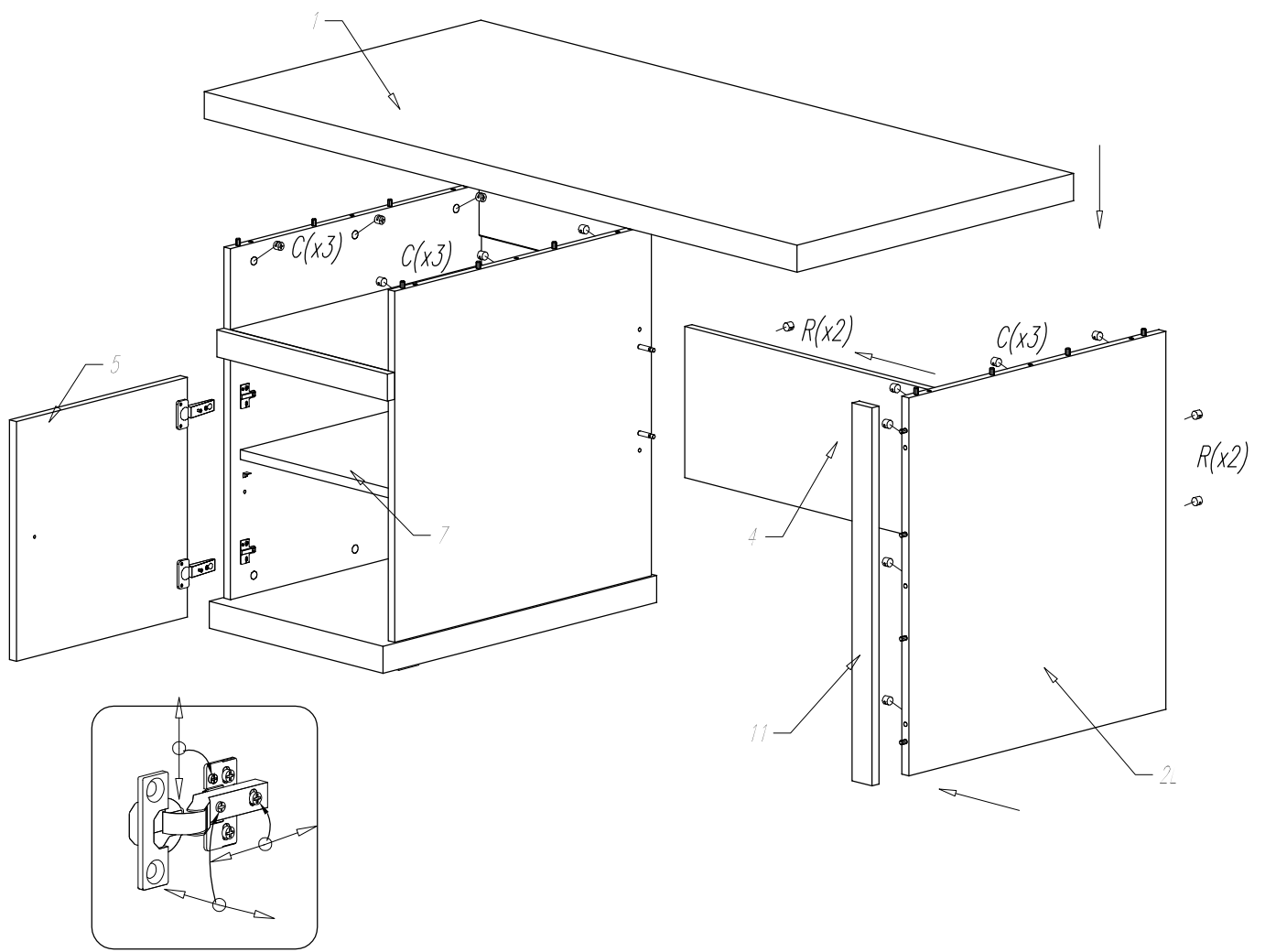
v.R



v.R



v.L



v.L

