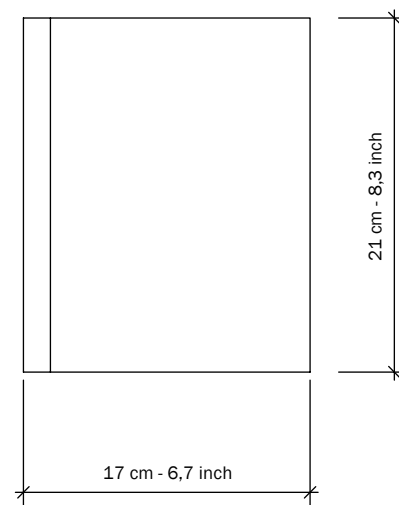
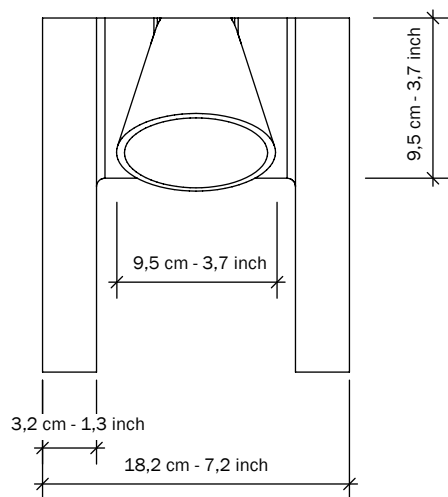
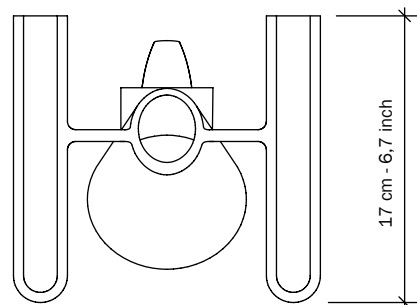


MR. ED

RODERICK VOS



SPECIFICATIONS

Book End:

Cast aluminium,
in textured black
powder coating.
Felt is attached to the
bottom of the base.

Light Source:

EU: Fitting E14
Max. 40 Watt
220 V
USA: Fitting E12
Max. 40 Watt
110 V

Cable length:

150 cm - 59.1 inch

Weight:

3 kg - 6,6 lb.

3D-FILES OR HR-IMAGES

Contact: info@functionals.eu

FUNCTIONALS
by Ad&Simon

Functionals

Edisonstraat 5
NL-5051 DS Goirle
tel. +31 (0)13 530 03 89
info@functionals.eu
www.functionals.eu

