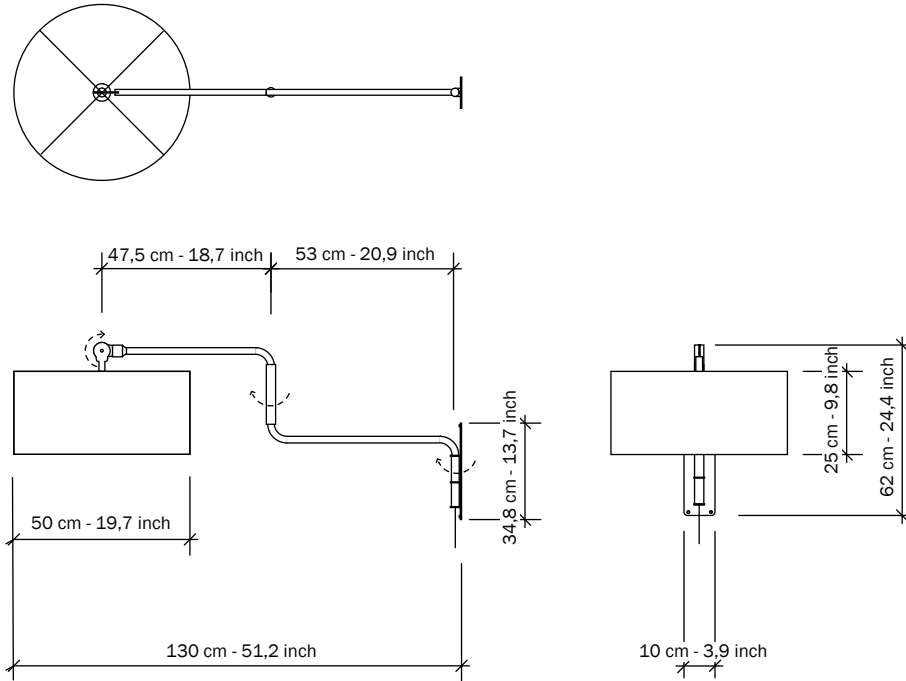


# SWIVEL WALL

DICK VAN HOFF



## SPECIFICATIONS

### Frame:

Steel tubing,  
in textured black powder coating,  
Two swivel points.

### Lampshade:

Black or white cotton blend,  
Can be swivelled to desirable angle.

### Light Source:

EU: Fitting E27

Max. 60 Watt

220 V

USA: Fitting E26

Max. 60 Watt

110 V

### Cable length:

180 cm - 70.9 inch

### Weight:

5 kg - 11 lb.

## 3D-FILES OR HR-IMAGES

Contact: [info@functionals.eu](mailto:info@functionals.eu)



Black



White

### Functionals

Edisonstraat 5

NL-5051 DS Goirle

tel. +31 (0)13 530 03 89

[info@functionals.eu](mailto:info@functionals.eu)

[www.functionals.eu](http://www.functionals.eu)