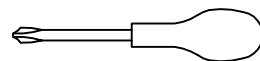
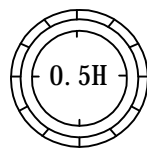
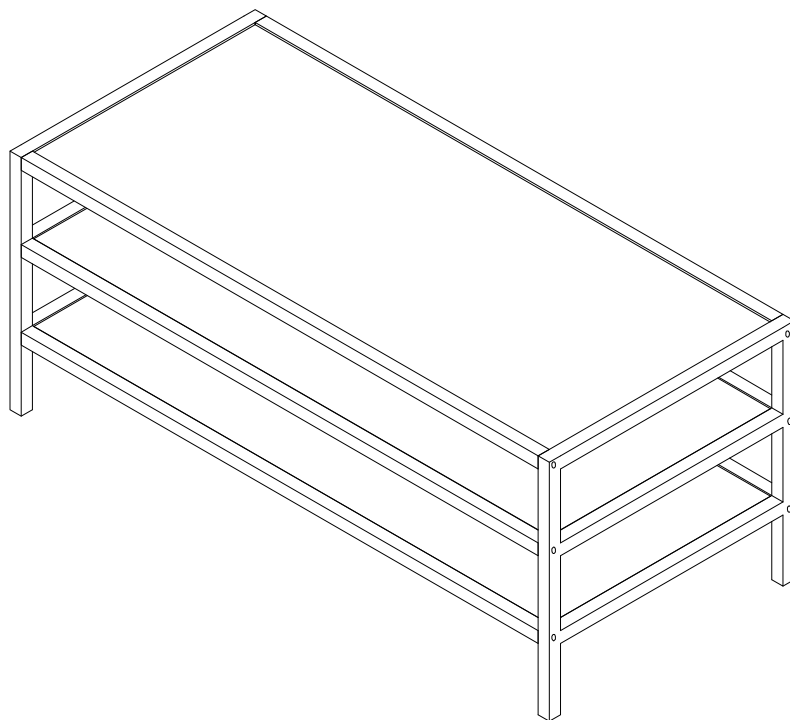
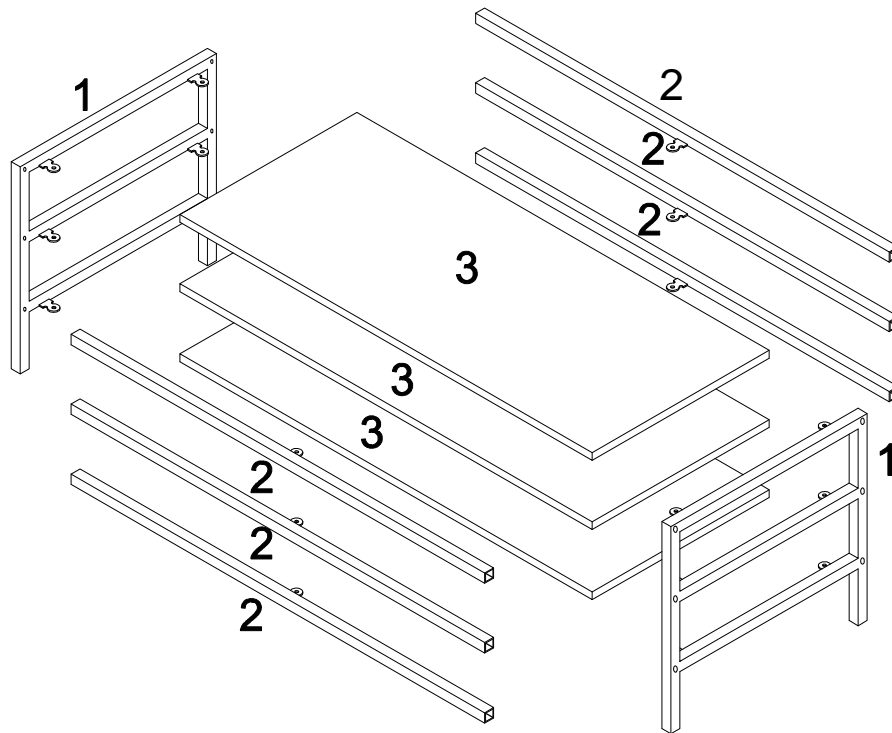
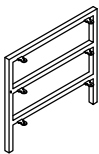
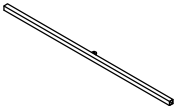
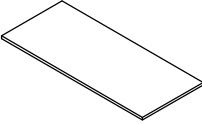


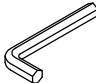


# Seaford

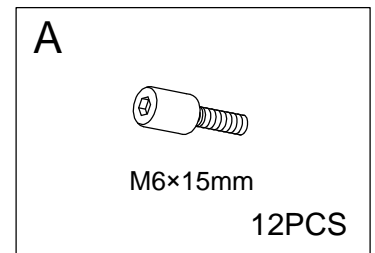
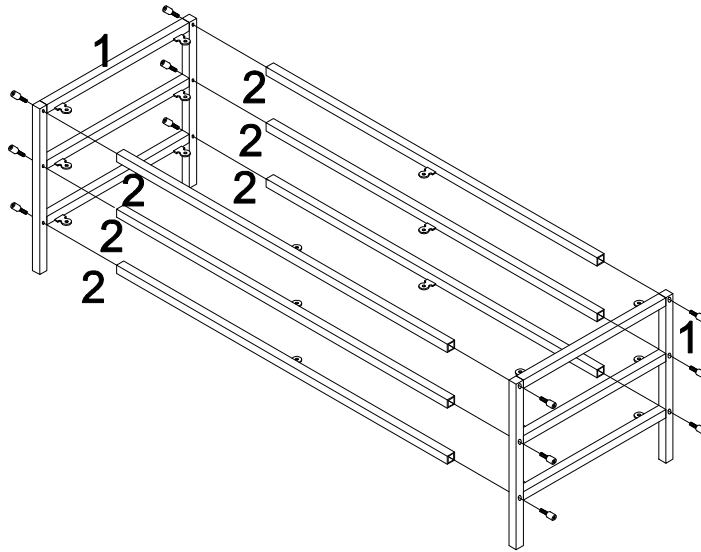
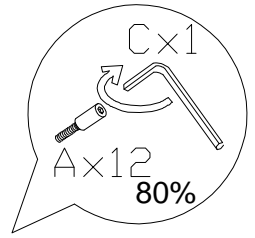
---



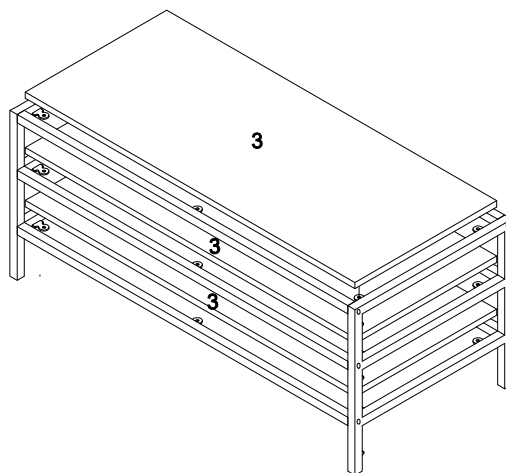


<p>1</p>  <p>2PCS</p>	<p>2</p>  <p>6PCS</p>	<p>3</p>  <p>3PCS</p>
<p>A</p>  <p>M6×15mm</p> <p>12PCS</p>	<p>B</p>  <p>4×10mm</p> <p>18PCS</p>	<p>C</p>  <p>4mm</p> <p>1PC</p>

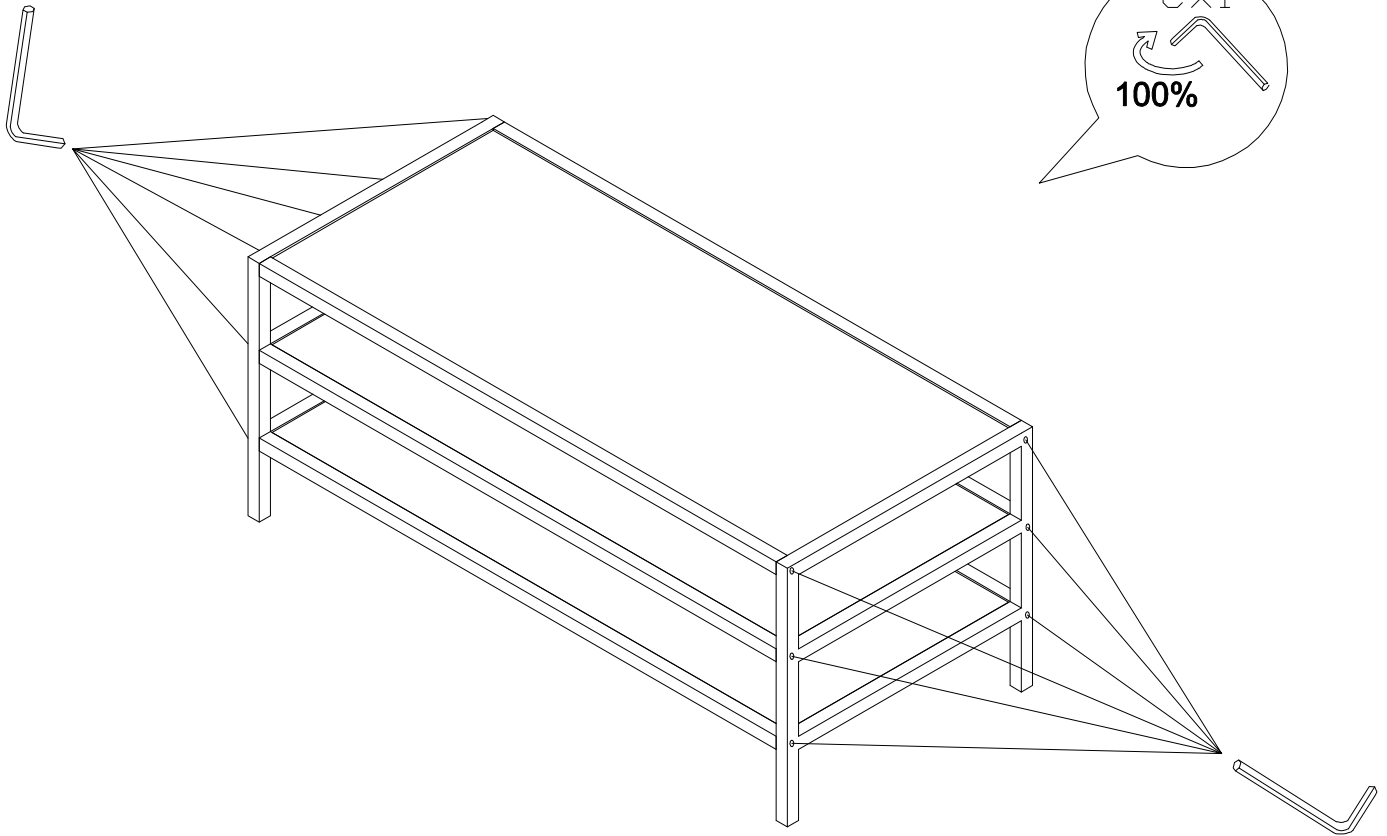
# Step 1



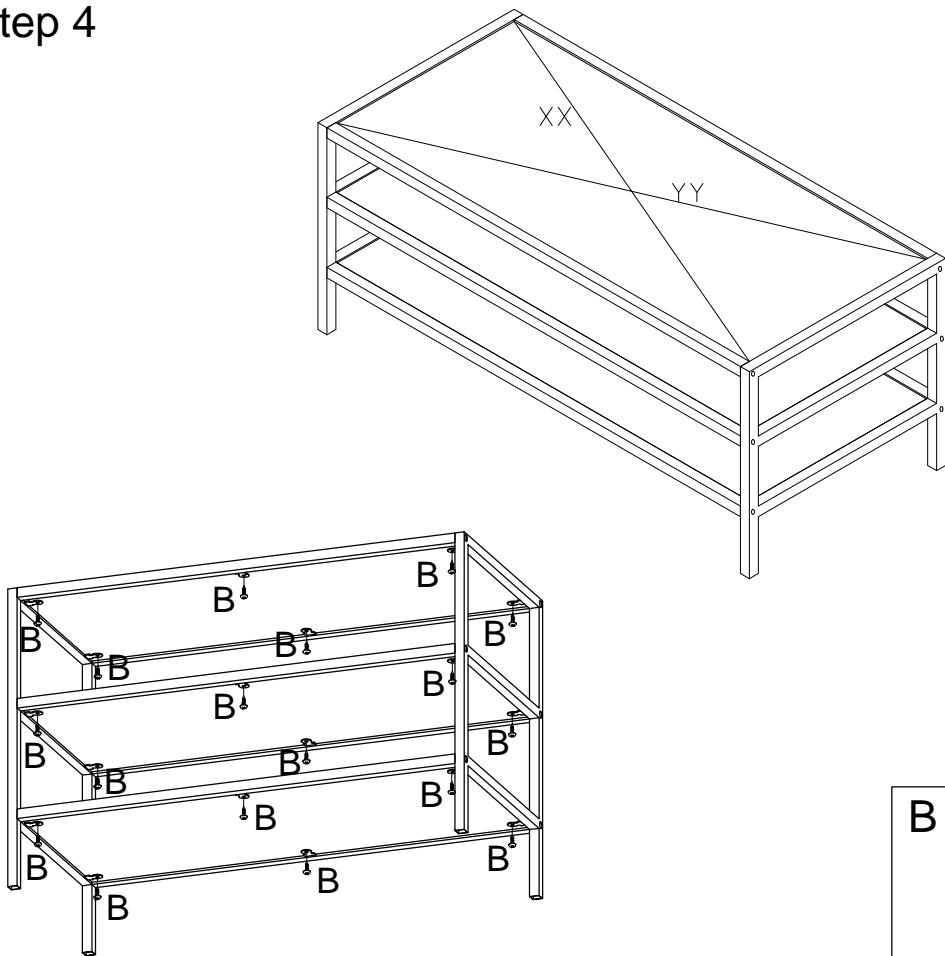
# Step 2



### Step 3




### Step 4



! XX=YY

100%  
B x 18

**B**



4x10mm  
18PCS